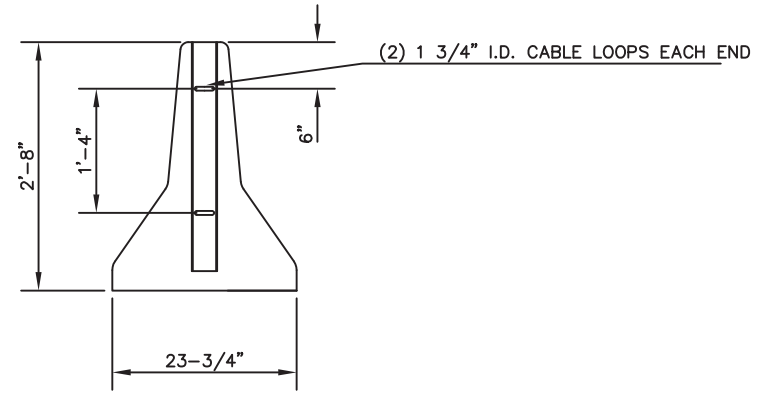
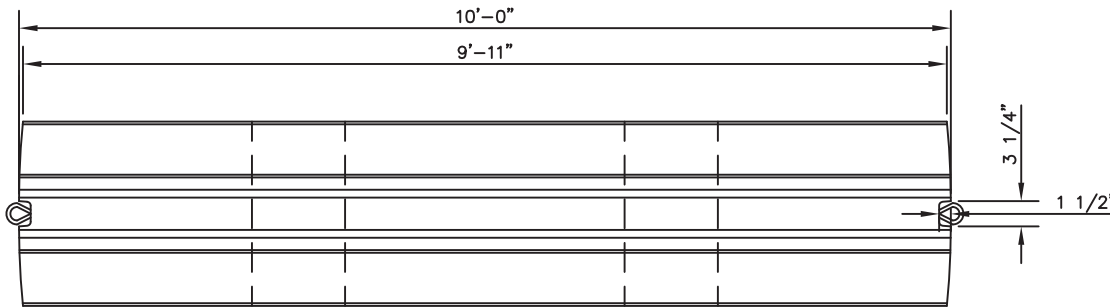


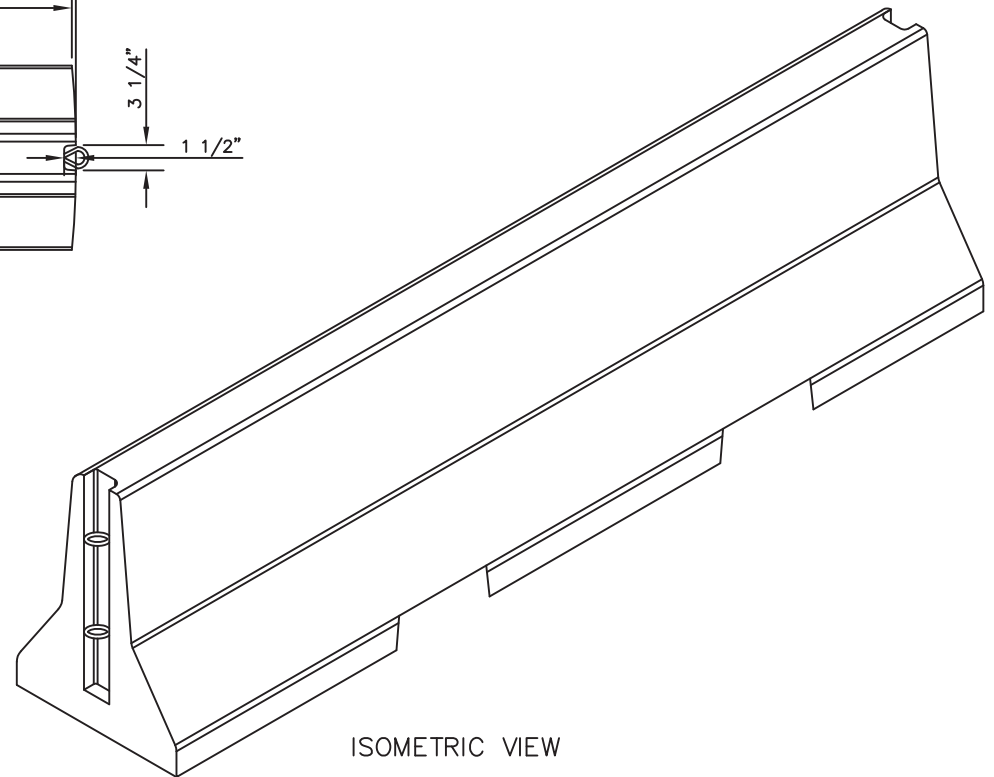
SIDE VIEW



END VIEW



TOP VIEW



ISOMETRIC VIEW



PHONE: 800-837-8918
FAX: 304-464-4013

P.O. BOX 265, WAVERLY, WV 26184-0265

MEDIAN BARRIER

DWG.NO.

1

3 1/27/12

OF

2 12/20/03

1

6/13/97

REV DATE

FILE# JR94009 DRAWN BY JOR DATE 3/14/94