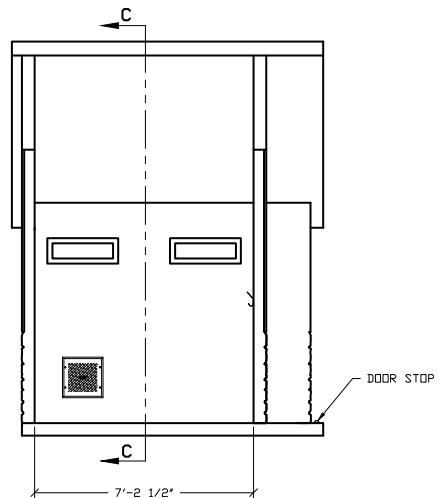
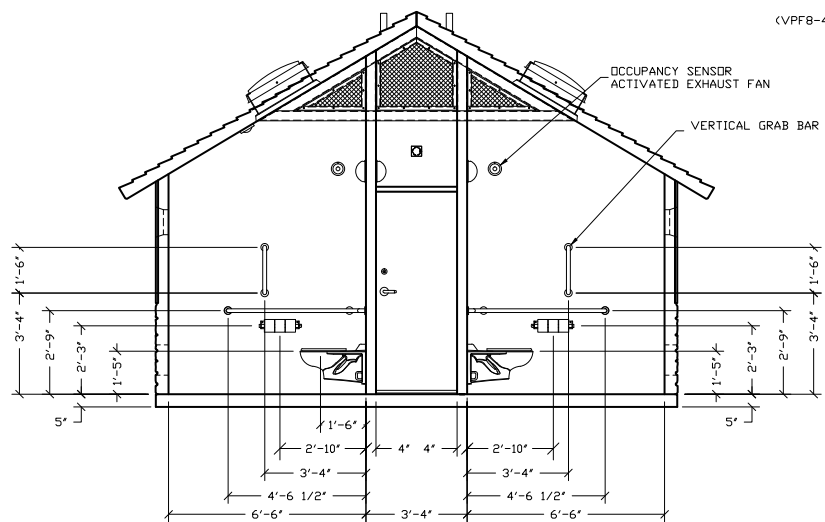


SECTION A - A

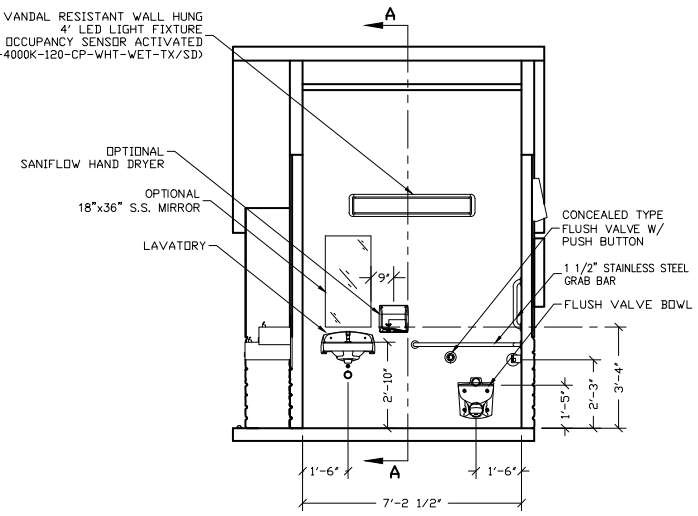
FOR REFERENCE ONLY



SECTION B - B



SECTION C - C



SECTION D - D

EMBEDDED MATERIALS	
ITEM	QTY
BLIND RIVET 1/8x1/4	4
GRAB BAR	2
VERTICAL GRAB BAR	2
COAT HOOK	2
DOOR STOP	2
ONE WAY OVAL 8x1 1/4	4
ANCHOR LEAD 6-8x1	4
CXT I.D. TAG	2
ANCHOR NAIL 1/4x1	12
ANCHOR NAIL 1/4x3/4	8
ANCHOR NAIL 3/16x7/8	18

CU. FT. CONC.	SQ. FT. W.W.F.
---------------	----------------

APPROXIMATE WEIGHT

3808 N. Sullivan Bldg. #7 Spokane, WA 99216



PROJECT FILE  
DENALI  
CXT STANDARD BUILDING

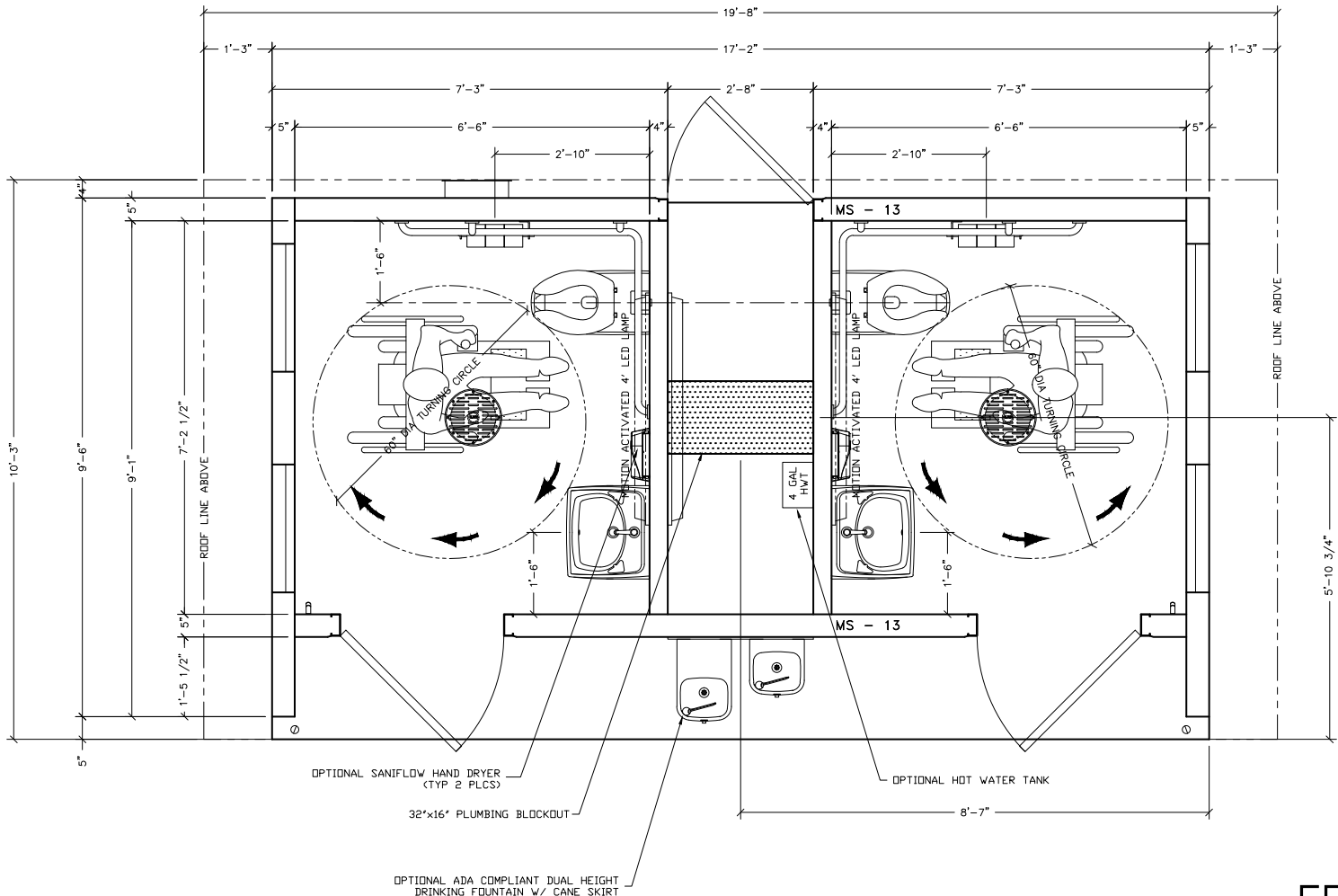
NOTICE  
The information contained herein is proprietary and the exclusive property of CXT Incorporated. The information may only be used by the original recipient for the purpose intended. Reproduction or distribution of this information is strictly prohibited without the prior written consent of CXT Incorporated. By allowing use of this information, CXT Incorporated grants no warranty, express or implied, including a warranty of merchantability or of fitness for a particular purpose.  
CXT Incorporated

REV.	DESCRIPTION	APPROVED	DATE

SCALE	1/4"=1'-0"	DATE	04-30-16
DRAWN		FILE NO.	PD-DN03
CHECKED			48

INTERIOR ELEVATIONS

DWG NO.	SHEET	REV.
DN-03		



FOR  
REFERENCE  
ONLY

3808 N. Sullivan Blvd. #7 Spokane, WA 99216



PROJECT FILE  
**DENALI**  
CXT STANDARD BUILDING

NOTICE  
The information contained herein is proprietary and the exclusive property of CXT Incorporated. The information may only be used by the original recipient for the purpose intended. Reproduction or distribution of this information is strictly prohibited without the prior written consent of CXT Incorporated. By allowing use of this information, CXT Incorporated grants no warranty, express or implied, including a warranty of merchantability or of fitness for a particular purpose.  
CXT Incorporated

REV.	DESCRIPTION	APPROVAL	DATE
SCALE	1/2" = 1'-0"	DATE	04-30-16
DRAWN	FILE NO.	PD-DND4	
CHECKED	PLT	24	

FLOOR PLAN

DWG. NO.	SHEET	REV.
DN-04		