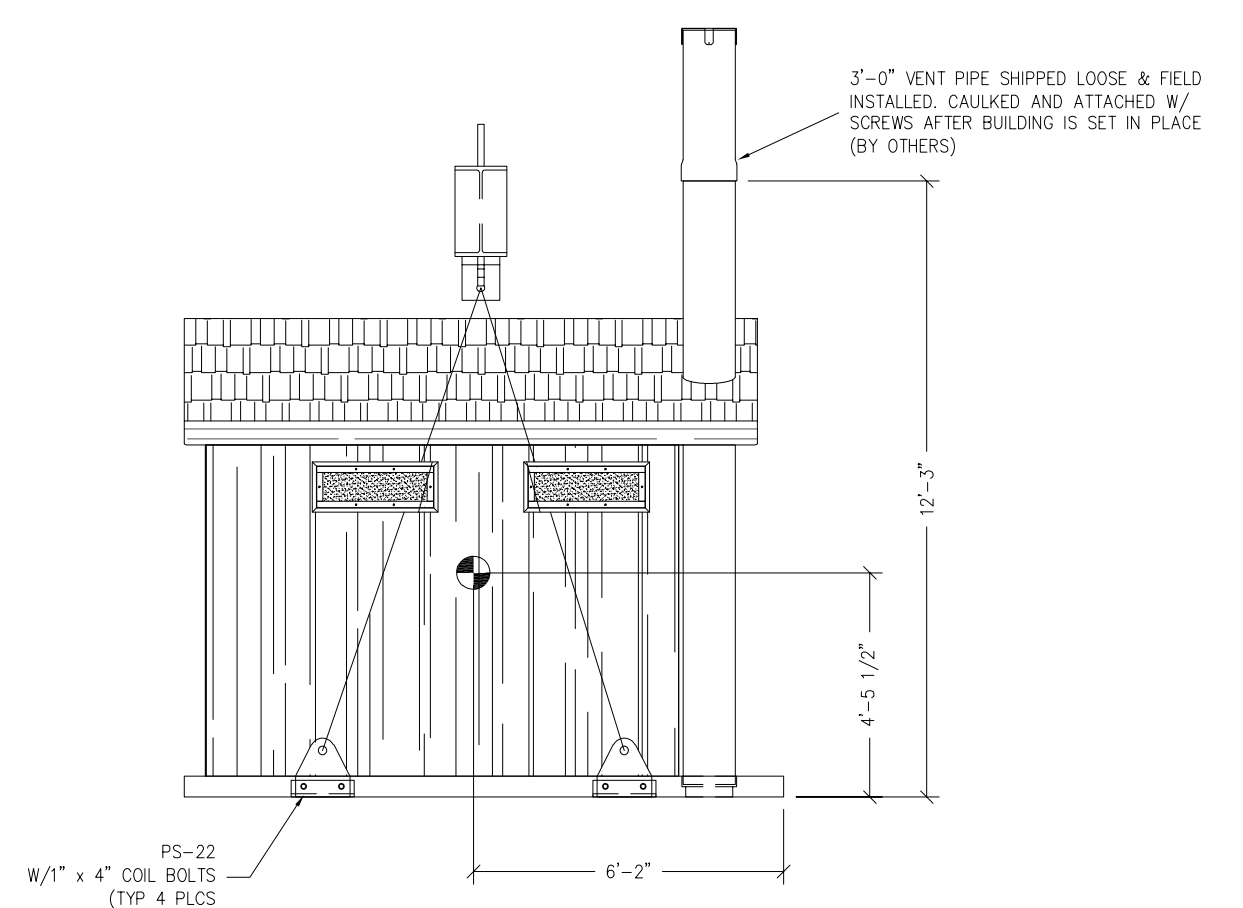


FRONT ELEVATION



RIGHT SIDE ELEVATION



**TIOGA**  
Building Number T-4730  
**Typical Transport Configuration**

- Notes:
1. Stepdeck Trailer
  2. Tractor 5th wheel 0" forward of center axle.

ATS Projects  
725 Opportunity Dr.  
St. Cloud, MN 56301

CREATED BY  
**WER**  
CREATED DATE  
**2023-04-07**

SIZE  
**D** SCALE  
**NTS**  
REVISION  
**00**

REVISIONS		
REV	DESCRIPTION	DATE
1	Notes	1-24-2023

DRAWING NO. 20230407-001 MFR DWG. T-01 SHEET **01**