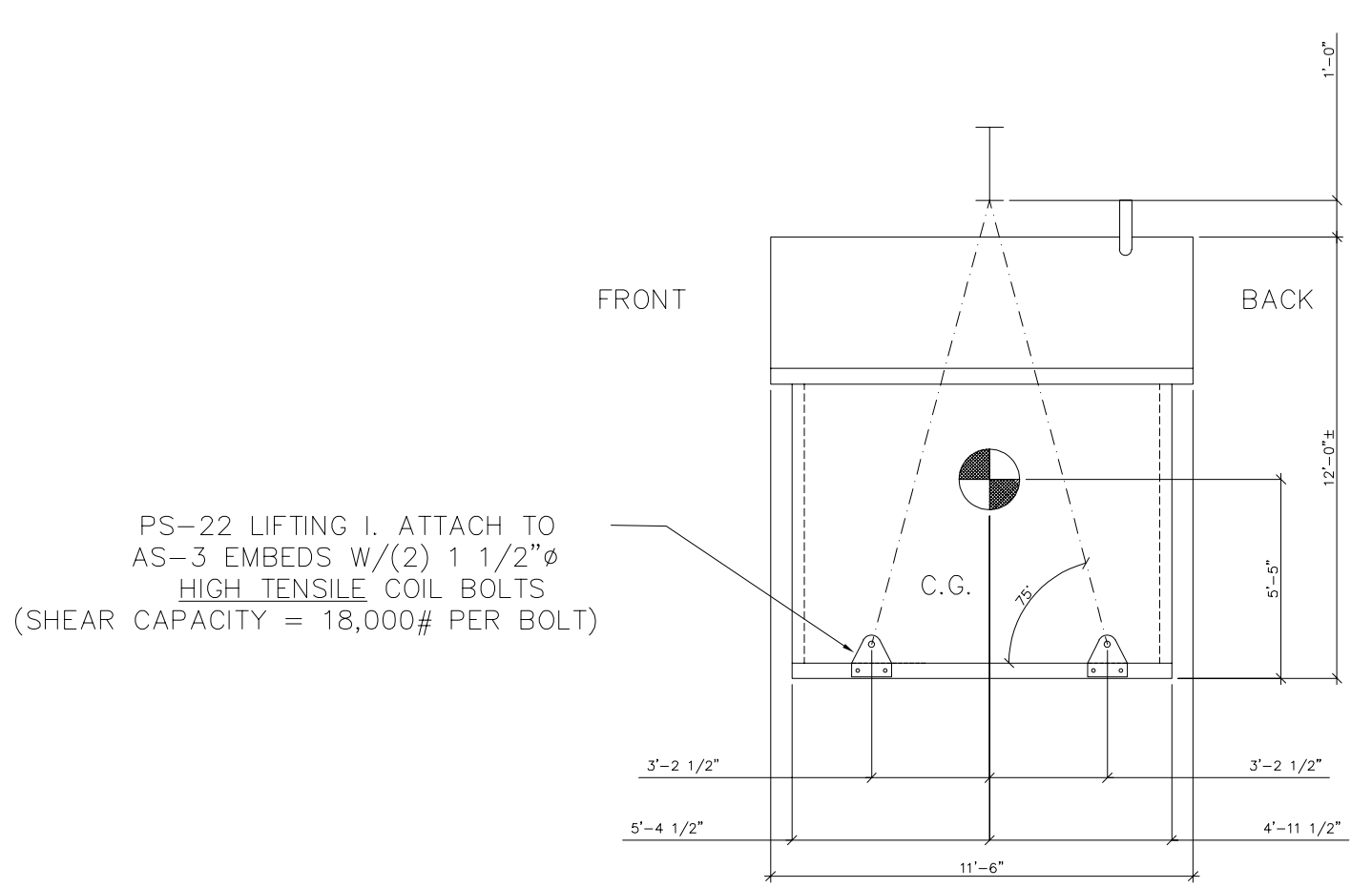


CRANE LIFTING SCHEMATIC – UNIT A



CRANE LIFTING SCHEMATIC – END VIEW



SANTIAGO
Building Number S-399

Typical Transport Configuration

- Notes:
- 3axle tractor + 2+3+2RGN Trailer
 - Tractor 5th wheel 0" forward of center axle.

ATS Projects
725 Opportunity Dr.
St. Cloud, MN 56301

CREATED BY
WER
CREATED DATE
2023-04-011

SIZE
D SCALE
NTS

REVISION BY
--
REVISION
00
REVISOR DATE

REV	DESCRIPTION	DATE
1	Notes	1-24-2023