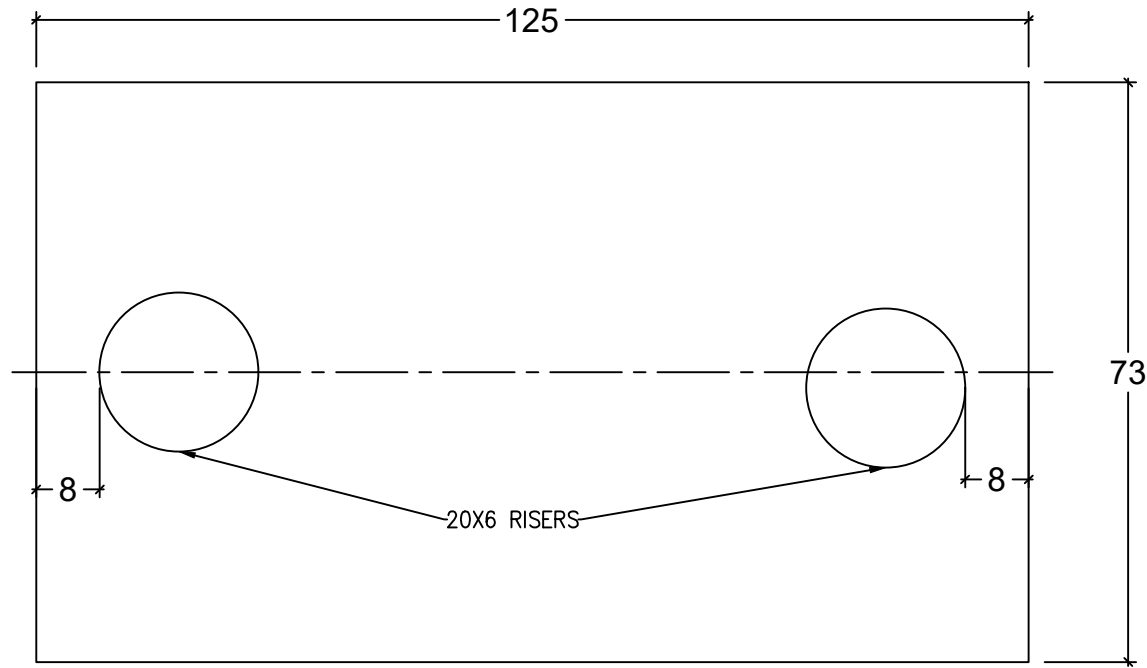
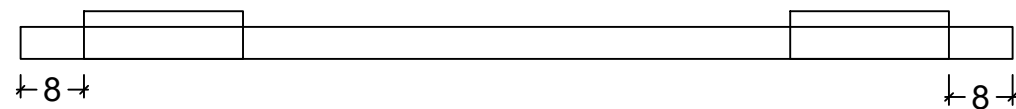


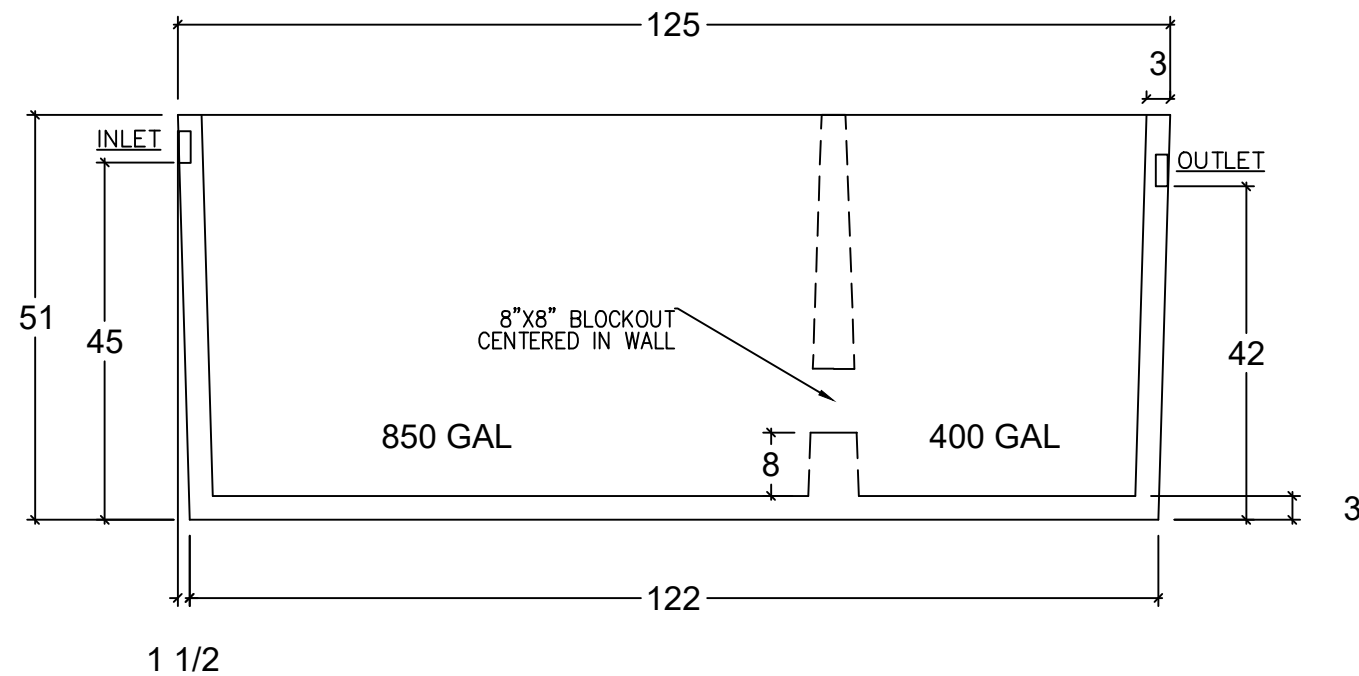
### LID TOP VIEW



### LID SIDE VIEW



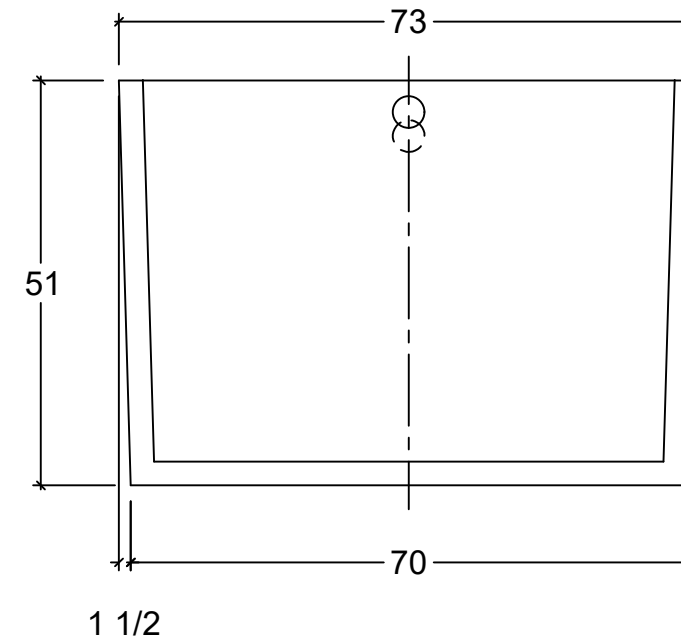
### SIDE VIEW



### NOTES:

1. 28-DAY COMPRESSION STRENGTH = 5000 psi
2. ALL REINFORCING STEEL IS TO BE UNCOATED GRADE 60 .
3. MINIMUM #3 BAR LAP IS NOT LESS THAN 1'-6"
4. 4" LID THICKNESS REINFORCED WITH #4 REBAR 12 "O.C

### END VIEW



CXT INCORPORATED  
CONTROLLED COPY  
IF THIS STATEMENT IS NOT PRINTED  
IN RED, DOCUMENT MAY NOT BE CURRENT  
ISSUED FOR PRODUCTION BY: Michael C. Tolman



**Precast Products**

6701 E Flamingo Ave Bldg 300 Nampa, ID 83687  
901 N. Highway 77 Hillsboro, TX 76645  
362 Waverly Road Williamstown, WV 26187

PROJECT TITLE  
1250-1C

NOTICE  
The information contained herein is proprietary and the exclusive property of CXT Incorporated. The information may only be used by the original recipient for the purpose intended. Reproduction or distribution of this information is strictly prohibited without the prior written consent of CXT Incorporated. By allowing use of this information, CXT Incorporated grants no warranty, express or implied, including a warranty of merchantability or of fitness for a particular purpose.

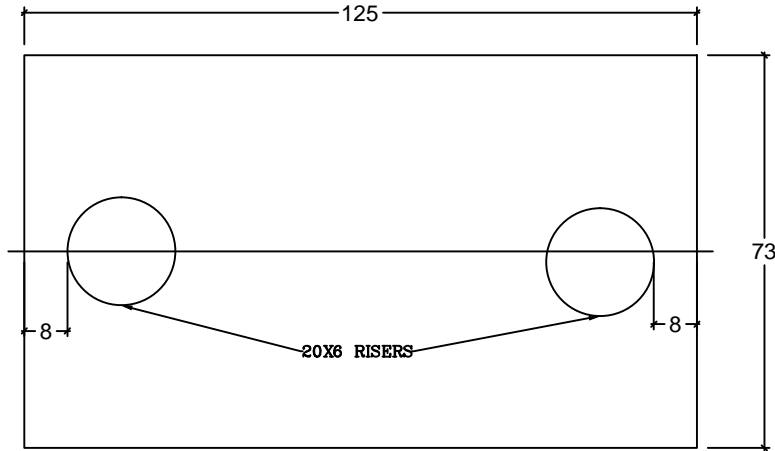
CXT Incorporated

REV.	DESCRIPTION	APPROVAL	DATE
SCALE	1/2" = 1'-0"	DATE	9/17/18
DRAWN	MR	FILE NO.	
CHECKED	MCT	PLOT	24

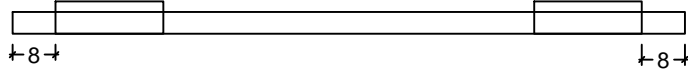
1250-1C

DWG NO.	SHEET	REV.
1250-1C	1	1

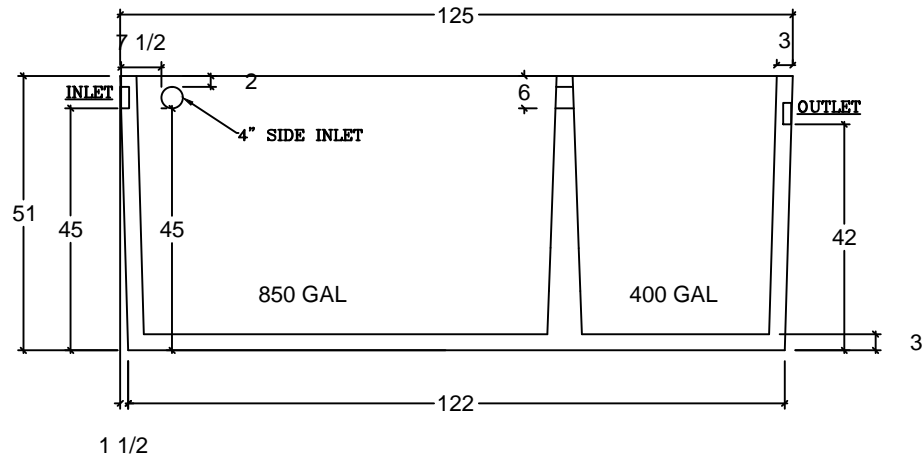
### LID TOP VIEW



### LID SIDE VIEW



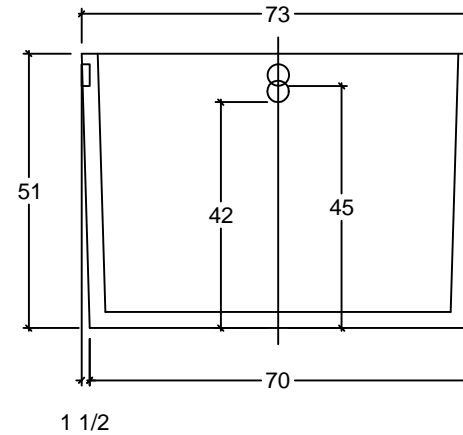
### SIDE VIEW



### NOTES:

1. 28-DAY COMPRESSION STRENGTH = 5000 psi
2. ALL REINFORCING STEEL IS TO BE UNCOATED GRADE 60
3. MINIMUM #3 BAR LAP IS NOT TO BE LESS THAN 1'-6"
4. 4" LID TO BE REINFORCED WITH #4 REBAR

### END VIEW



PHONE:  
254.296.6115  
ADDRESS:  
901 N. HWY 77  
HILLSBORO, TX 76645

CXT, INC. HILLSBORO

1250-2C

DRAWN BY: MR DATE: 1/18/19 CHECKED BY: CHECKED DATE:

DWG. NO.	REV	DESCRIPTION	DATE
OF			
REV BY:	T	ADDED SIDE INLETS	4/11/19