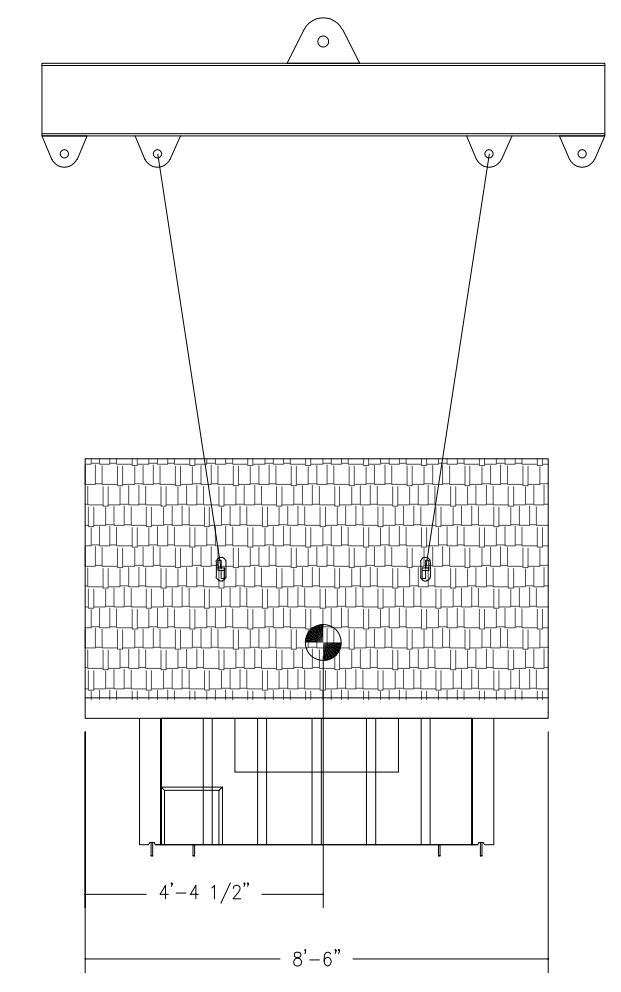
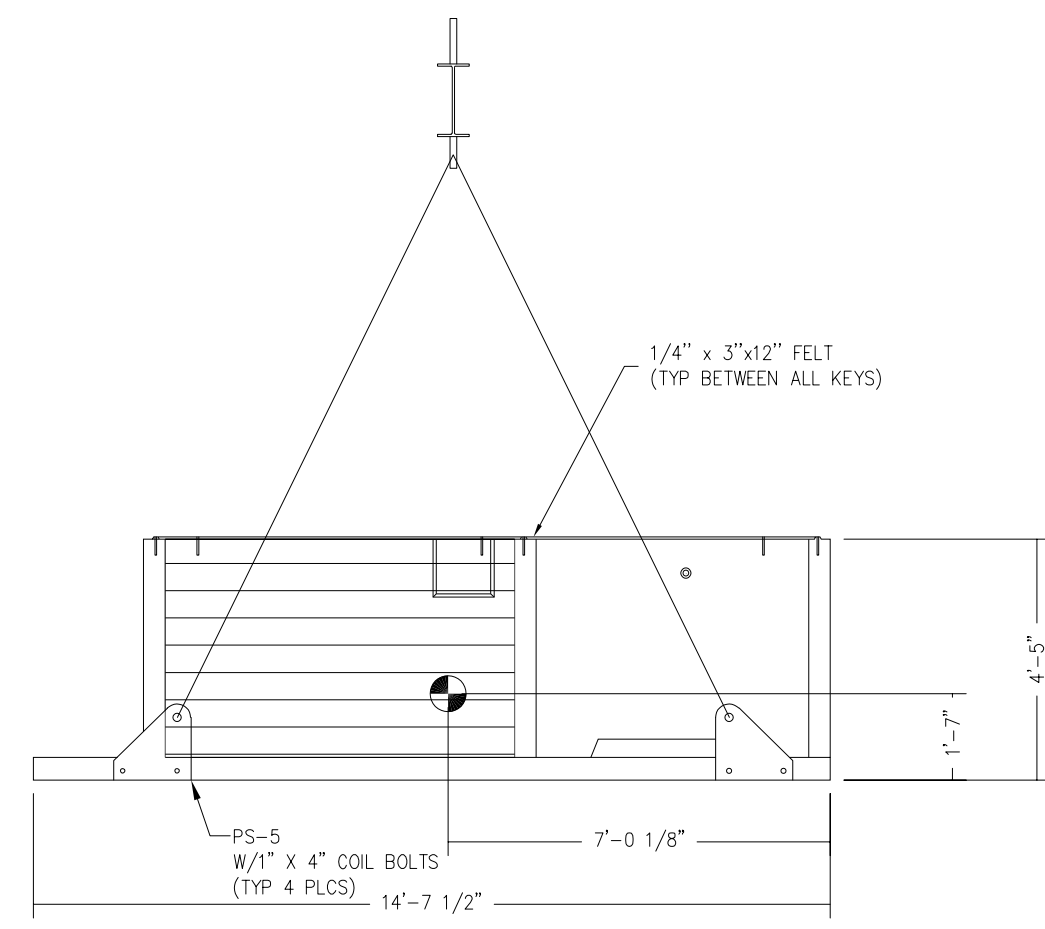


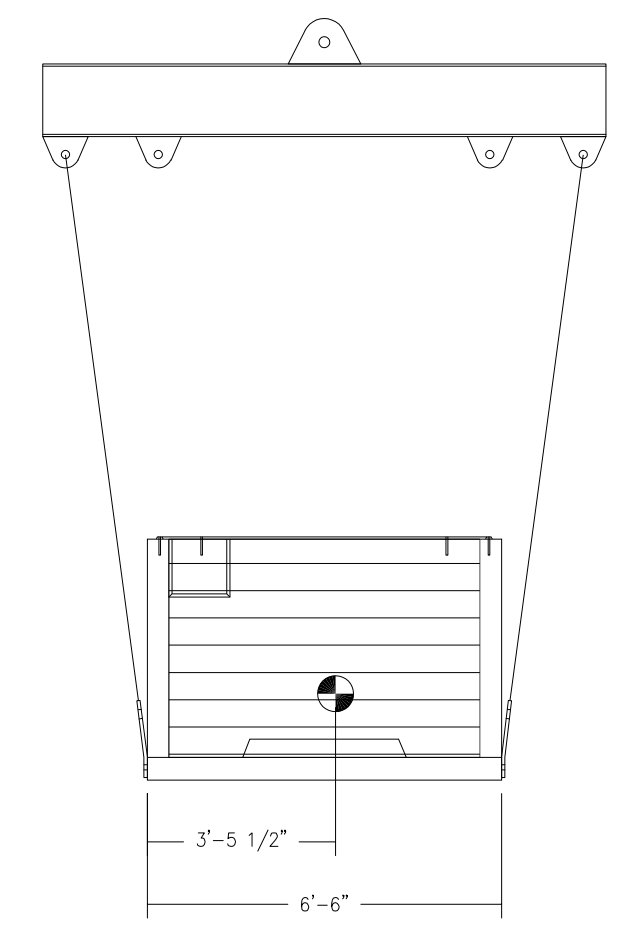
FRONT TOP ELEVATION



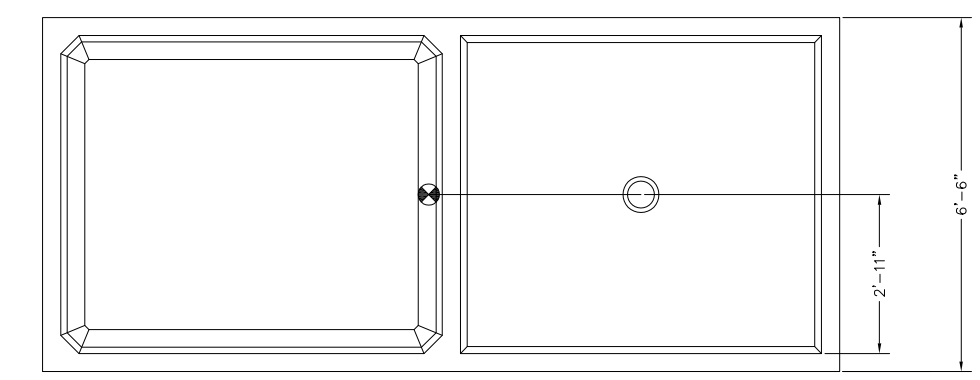
RIGHT SIDE TOP ELEVATION



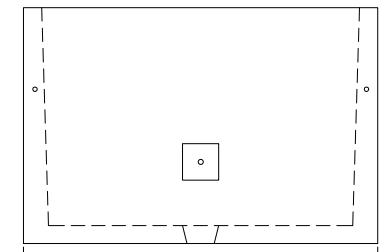
FRONT BTM ELEVATION



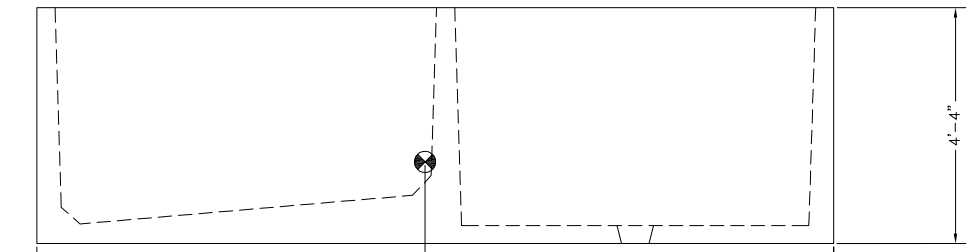
RIGHT SIDE BTM ELEVATION



PLAN VIEW



END VIEW



ELEVATION



CASCADIAN  
Building Number C-2130

Typical Transport Configuration

- Notes:
1. Flatbed Trailer
  2. Tractor 5th wheel 0" forward of center axle.

ATS Projects  
725 Opportunity Dr.  
St. Cloud, MN 56301

CREATED BY  
**WER**  
CREATED DATE  
**2023-04-07**

SIZE  
**D** SCALE  
**NTS**

REVISIONS  
REV 00

REV	DESCRIPTION	DATE
1	Added Vault	4-11-2023